



Principal Particulars

Length overall	20.6	metres
Length waterline	18.8	metres
Moulded beam	7	metres
Design draught	1.3	metres

Deadweight

Technicians	12	
Crew	3	
Cargo	10	tonnes
Fuel	15,000	litres
Fresh water	1,000	litres
Black water	500	litres
Maximum deadweight	17.8	tonnes

Performance & Range

Speed	28	knots
Service speed	25	knots

Machinery

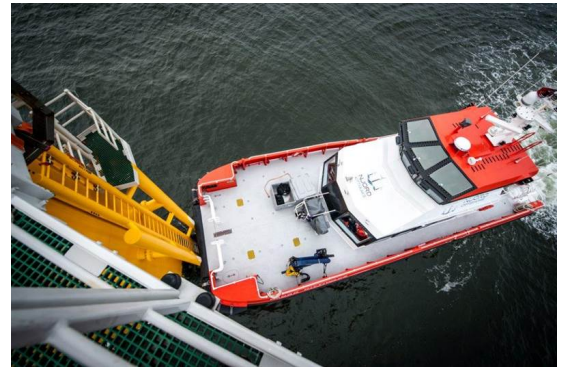
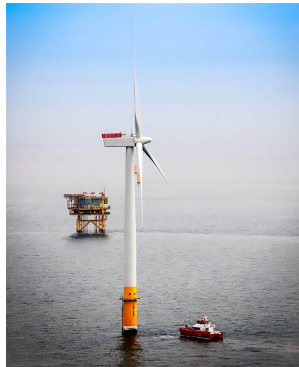
Main engines	2 x MTU 8V2000M72 (720 kW)
Propulsors	2 x Fixed Pitch Propellers

Construction

Aluminium

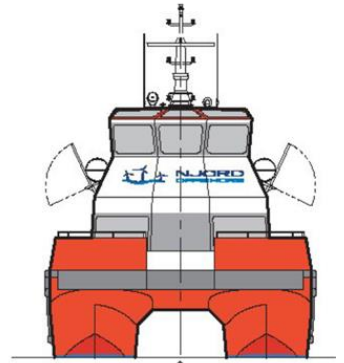
Design Standard

Class	DNV 1A1 HSLC R2 Windfarm Service 1
Flag	Jersey Flag MGN 280 Cat 2

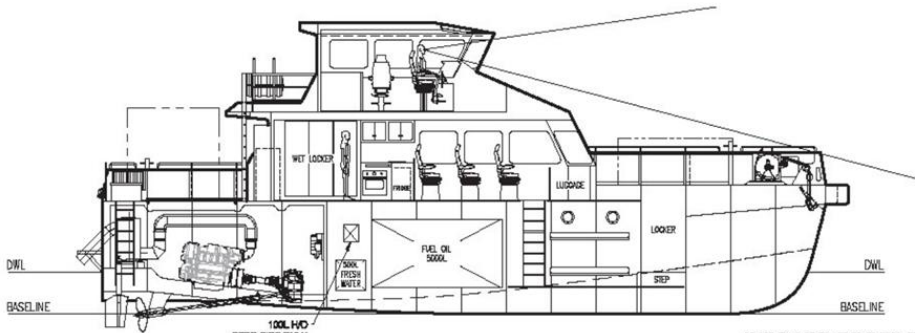




OUTBOARD PROFILE

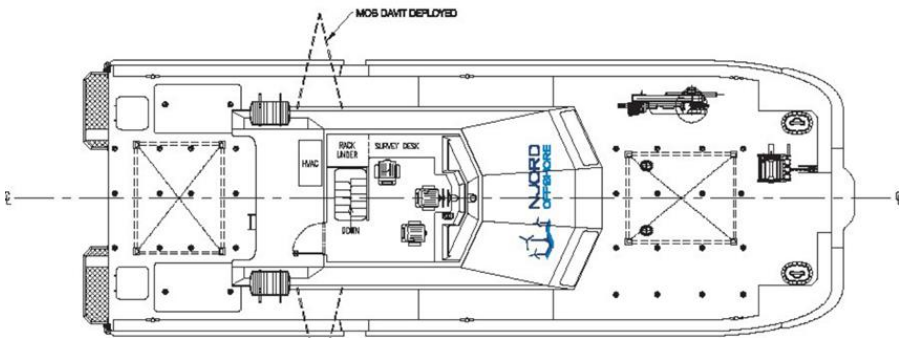


VIEW ON BOW



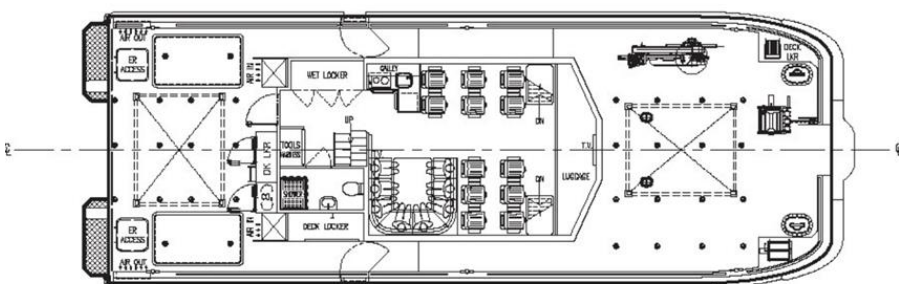
INBOARD PROFILE

TRANSOM	STBD SIDE ONLY				WTB				WTB				WTB				TRANSOM
FR.0	FR.1	FR.2	FR.3	FR.4	FR.5	FR.6	FR.7	FR.8	FR.9	FR.10	FR.11	FR.12	FR.13	FR.14	FR.15		
	1200	2400	3600	4800	6000	7200	8400	9600	10800	12000	13200	14400	15600	16800	18000		



PLAN VIEW BRIDGE

TRANSOM	WTB				WTB				WTB				TRANSOM		
FR.0	FR.1	FR.2	FR.3	FR.4	FR.5	FR.6	FR.7	FR.8	FR.9	FR.10	FR.11	FR.12	FR.13	FR.14	FR.15
	1200	2400	3600	4800	6000	7200	8400	9600	10800	12000	13200	14400	15600	16800	18000



PLAN VIEW ON MAIN DECK

TRANSOM	WTB				WTB				WTB				TRANSOM		
FR.0	FR.1	FR.2	FR.3	FR.4	FR.5	FR.6	FR.7	FR.8	FR.9	FR.10	FR.11	FR.12	FR.13	FR.14	FR.15
	1200	2400	3600	4800	6000	7200	8400	9600	10800	12000	13200	14400	15600	16800	18000